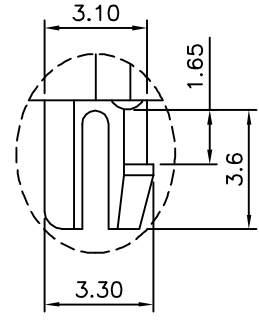
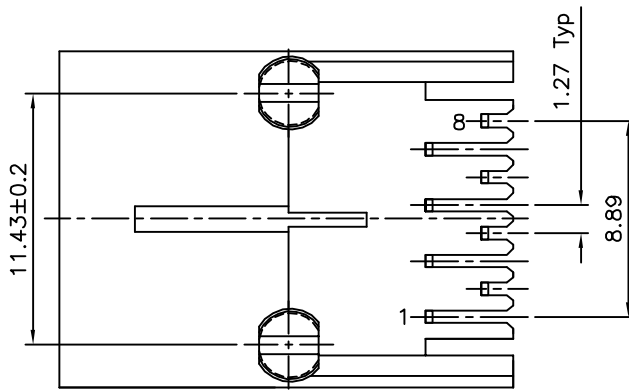
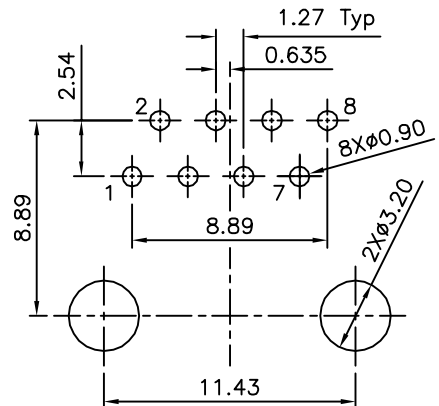


**△ SPECIFICATION**  
 Housing: PBT+G.F.(UL94V-0), Black  
 Contact: Phosphor Bronze  
 Gold Plated 06u" On Contact Area,  
 Gold Flash On Other Area, Over Nickel  
 Cavity Confirms To FCC Rules And Regulations  
 Part 68, Subpart F.  
 RoHS Compliant



△ Recommended P.C.B. Layout  
 Recommended P.C.B. Thickness: 1.6mm  
 Tolerance: ±0.05 (Top View)

**4UCON** 元化興業股份有限公司  
 4UCON TECHNOLOGY INC.

|             |      |             |    |  |      |             |          |            |
|-------------|------|-------------|----|--|------|-------------|----------|------------|
| DRAWING No. |      | APPROVED BY |    | UNLESS OTHERWISE SPECIFIED TOLERANCES ARE<br>.X ±0.25<br>.XX ±0.13<br>.XXX ±0.05 |      |             |          |            |
| 04908       |      | MEI         |    |  | △ A2 | Modify Data | HZF      | 12/04/2012 |
|             |      | CHECKED BY  |    |  | △ A1 | Modify Data | HZF      | 10/12/2011 |
|             |      | DRAWING BY  |    | GAO  | △ A0 | NEW RELEASE |          |            |
| SCALE       | NONE | REV.        | A2 | UNIT   | mm   |             |          |            |
|             |      |             |    | NO. REV.   |      | REVISIONS   | CHK DATE |            |